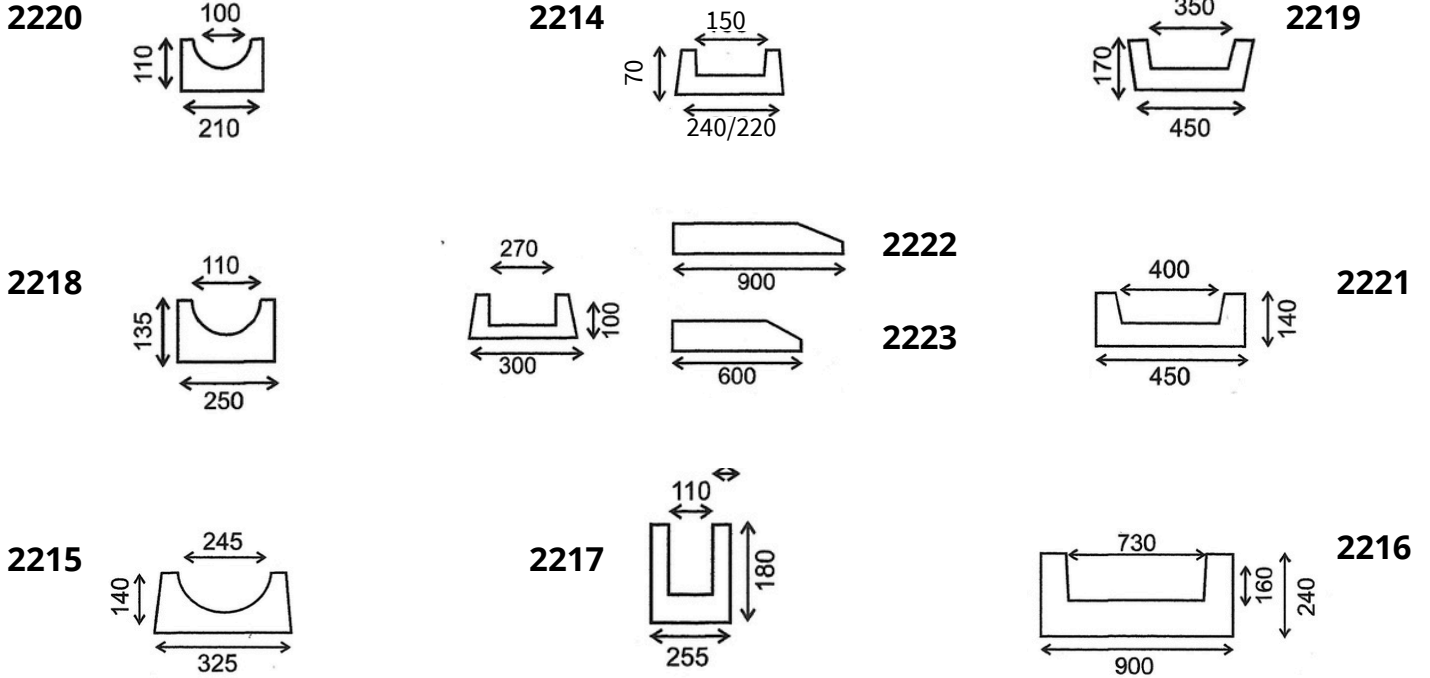




Waterchannels and gulleys



CODE	DESCRIPTION	LENGTH	Bottom WIDTH/ Inside WIDTH	HEIGHT	WEIGHT
2214	Sq Small	1000mm	240/150mm	70mm	26kg
2215	325x610	610mm	325/245mm	140mm	32kg
2216	900	1000mm	900/730mm	240mm	248kg
2017	255x1500	1500mm	255/110mm	180mm	124kg
2018	Domestic	1000mm	250/110mm	135mm	58kg
2219	Sq Large	1000mm	450/350mm	170mm	83kg
2220	SG	600mm	210/100mm	110mm	28kg
2221	Sq Heavy Duty	1000mm	450/400mm	140mm	100kg
2222	W/Shoe 900	900mm	300/270mm	100mm	28kg
2223	W/shoe 600	600mm	300/270mm	100mm	19kg



Waterchannels and gulleys

2212 110mm



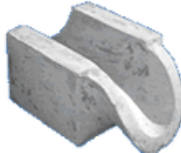
2199 50mm

2201 75mm

2198 110mm



2211 110mm



2209 110mm

2210 160mm



1481



2203 50mm

2204 75mm

2202 110mm



2207 50mm

2205 110mm

2206 160mm

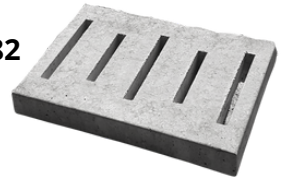


FRONT VIEW



SIDE VIEW

1482



CODE	DESCRIPTION	LENGTH	WIDTH	HEIGHT	PIPE DIA
2212	Tung Veneer	40mm	230mm	260mm	110mm
2211	Tung BI	260mm	230mm	260mm	110mm
2203	Bea Veneer	30mm	120mm	120mm	50mm
2204	Bea Veneer	30mm	160mm	160mm	75mm
2202	Bea Veneer	40mm	260mm	230mm	110mm
2199	Bea BI	30/90mm	120mm	120mm	50mm
2201	Bea BI	30/120mm	160mm	160mm	75mm
2198	Bea BI	260mm	230mm	260mm	110mm
2209	Spout PL sml	210mm	210mm	50mm	110mm
2210	Spout PL lrg	260mm	260mm	50mm	160mm
2207	Gargoyle sml	250mm	250mm	55mm	50mm
2205	Gargoyle med	310mm	310mm	55mm	110mm
2206	Gargoyle lrg	360mm	360mm	55mm	160mm
1481	GridB LRG	930mm	490mm	60mm	na
1482	GridB Menlyn	500mm	635mm	65mm	na